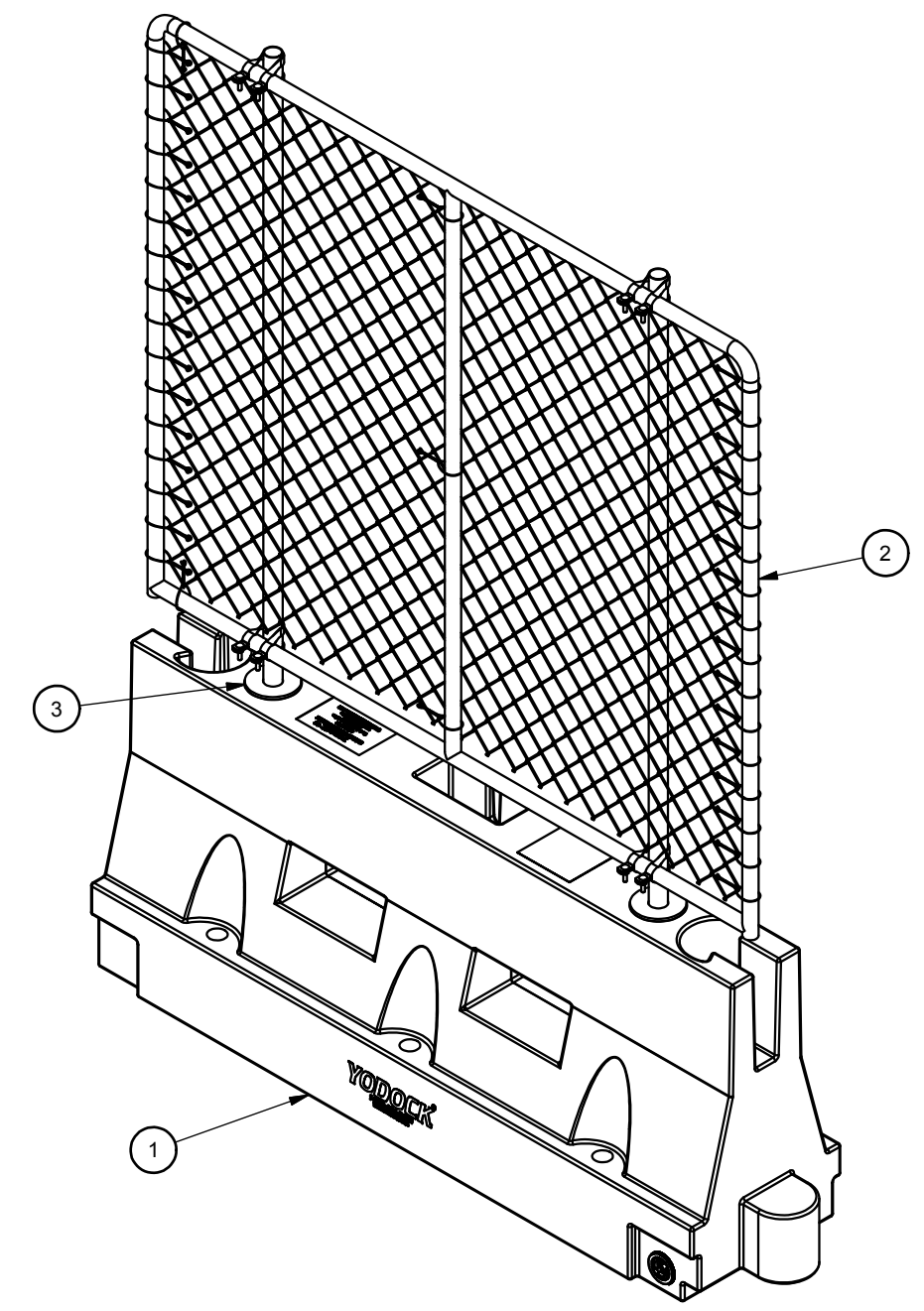
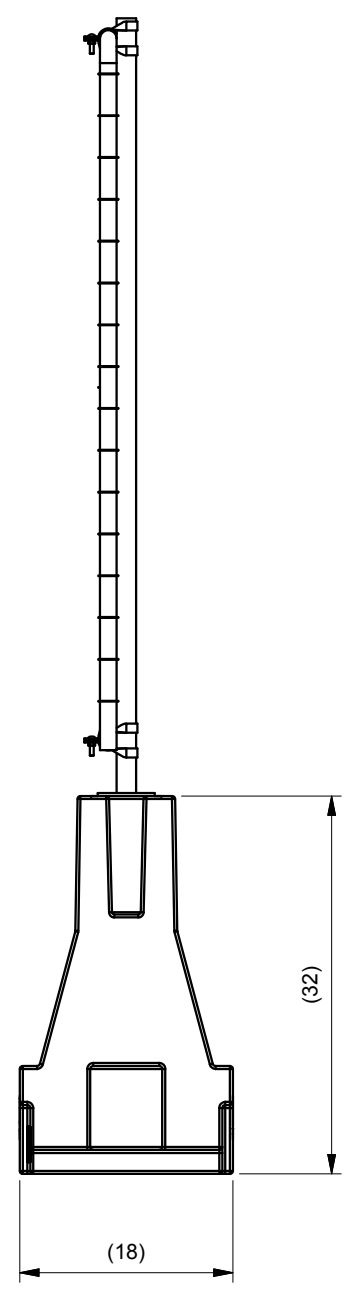
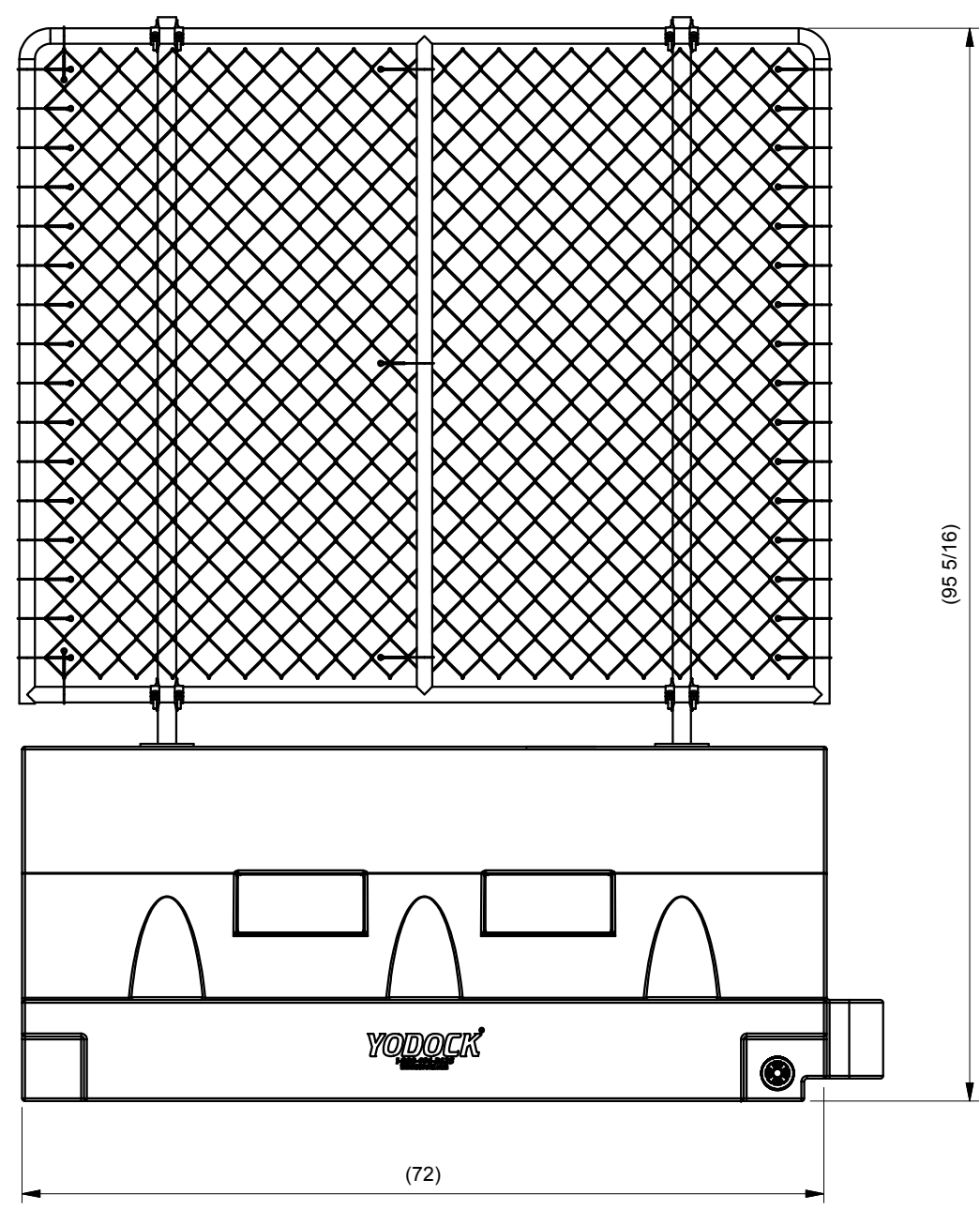



| PARTS LIST | | | |
|------------|-----------|------------------------------|------|
| ITEM | STOCK NO. | DESCRIPTION | QTY. |
| 1 | 148006 | YODOCK 2001M-NATURAL 32" | 1 |
| 2 | 118735 | SP TRINITY PANEL | 1 |
| 3 | 118620 | BUSHING,RUBBER,1.68X4.25X1.5 | 2 |



NOTES:
1. FINISH AND GENERAL WORKMANSHIP PER QMS-SF-004, UNLESS OTHERWISE SPECIFIED.

ASSEMBLY NO: 148193

| | | | | | | | | | |
|---|-----------------------------|--------------------|--|------|-----|----|------|------------------------------------|--|
| MATERIAL: SEE PARTS LIST | DRAWN: R. VENZON | DATE: 5/22/2015 | TOLERANCES PER QMS-SF-001, UNLESS OTHERWISE SPECIFIED. | | | | | YODOCK BARRIER 2001M W/FENCE PANEL |  TRINITY HIGHWAY YODOCK |
| FINISH: N/A | CHECKED: A. VAN BROCKLIN | DATE: 5/17/2015 | DO NOT SCALE DRAWING | | | | | | |
| UNLESS OTHERWISE NOTED, ALL DIMENSIONS ARE IN INCHES. DIMENSIONS ACCORDING TO ASME Y14.5M-1994 UNLESS OTHERWISE SPECIFIED. | | | ECO | Date | Rev | By | Chk. | | |
| ESTIMATED WEIGHT: 133.97 lbmass | | | | | | | | | |

DRAWING: 148193 REV: - SHEET: 1 of 1