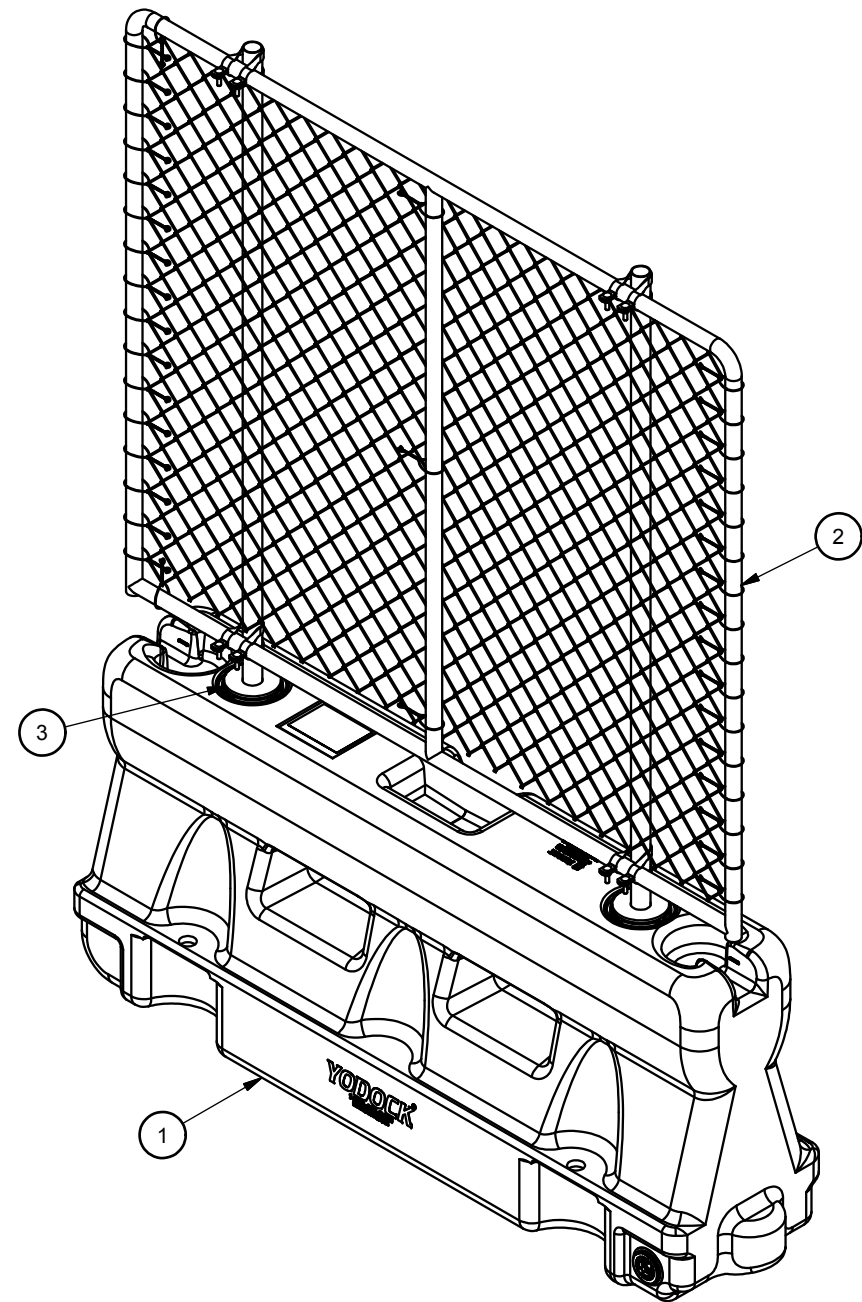
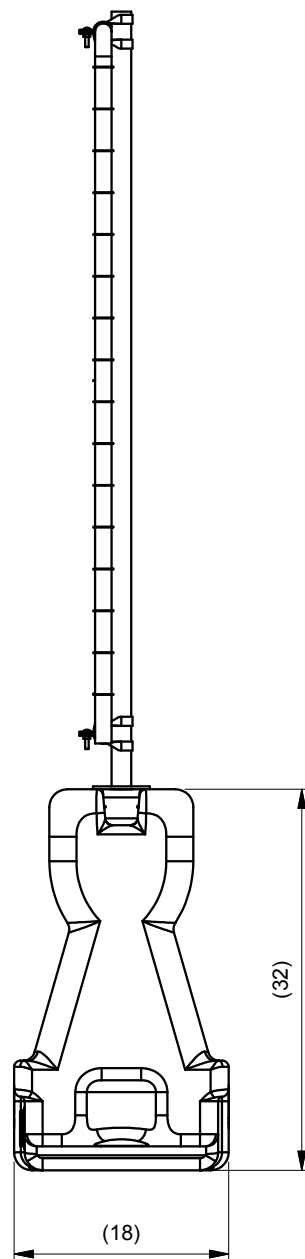
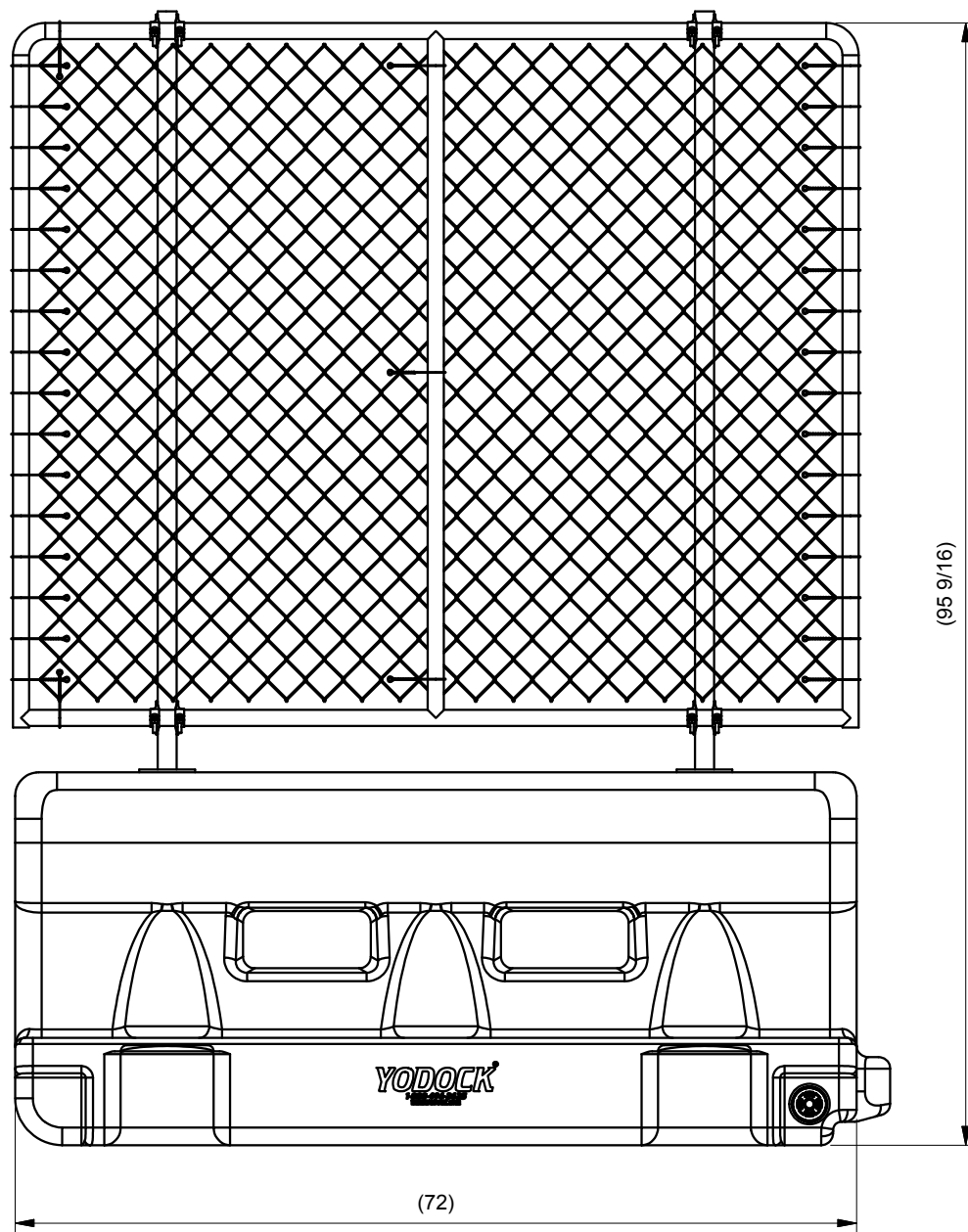



PARTS LIST			
ITEM	STOCK NO.	DESCRIPTION	QTY.
1	148002	YODOCK 2001MB - ORANGE	1
2	118735	SP TRINITY PANEL	1
3	118620	BUSHING,RUBBER,1.68X4.25X1.5	2



ASSEMBLY NO: 148158

MATERIAL: SEE PARTS LIST	DRAWN: D. Kohfeld	DATE: 10/30/2013	TOLERANCES PER QMS-SF-001, UNLESS OTHERWISE SPECIFIED.					YODOCK BARRIER 2001MB W/ FENCE PANEL	 TRINITY HIGHWAY YODOCK
FINISH: N/A	CHECKED: AVB	DATE: 10/30/2013	DO NOT SCALE DRAWING						
UNLESS OTHERWISE NOTED, ALL DIMENSIONS ARE IN INCHES. DIMENSIONS ACCORDING TO ASME Y14.5M-1994 UNLESS OTHERWISE SPECIFIED.			ECO	Date	Rev	By	Chk.		
ESTIMATED WEIGHT: 134.94 lbmass									
DRAWING: 148158								REV: -	SHEET: 1 of 1