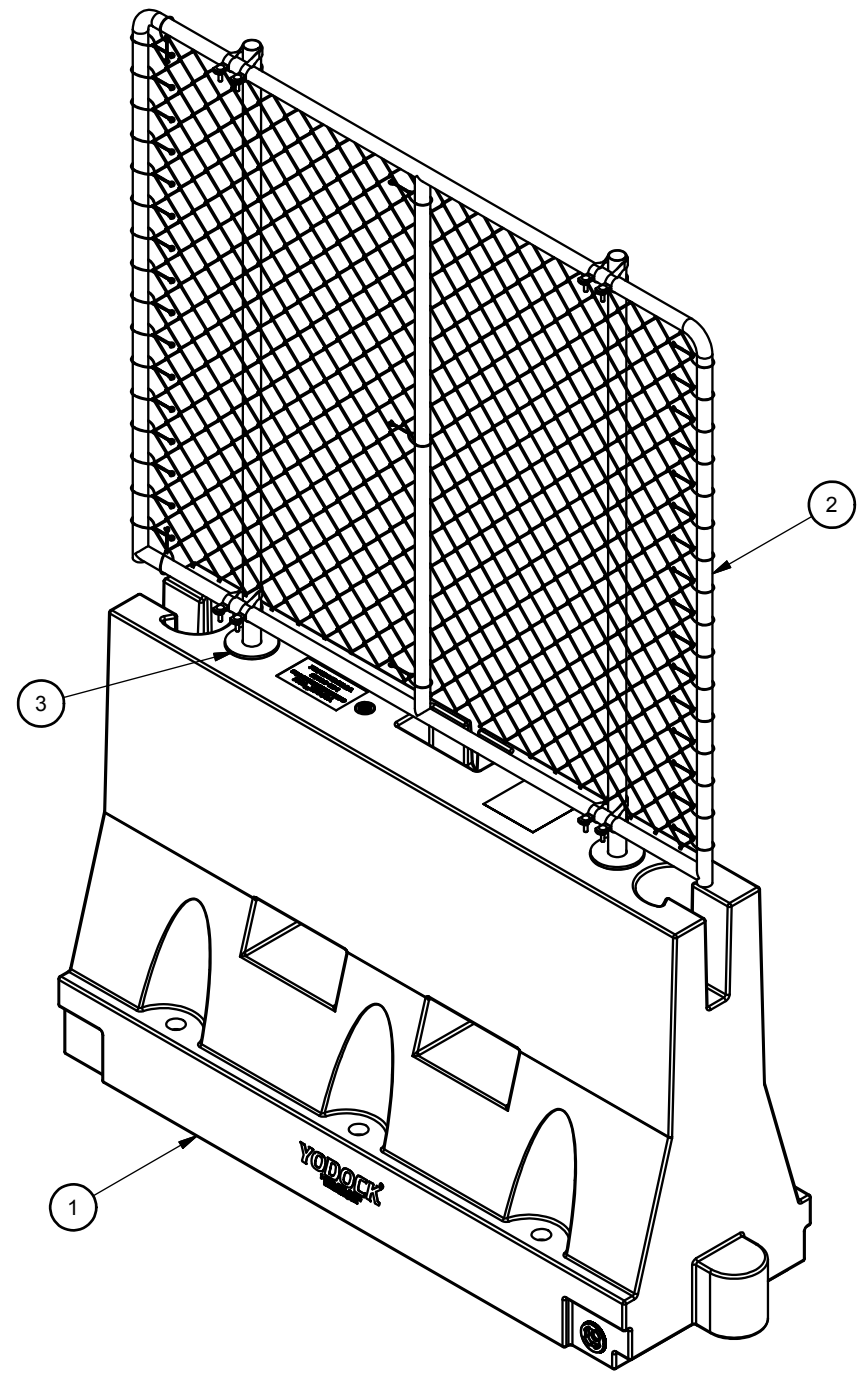
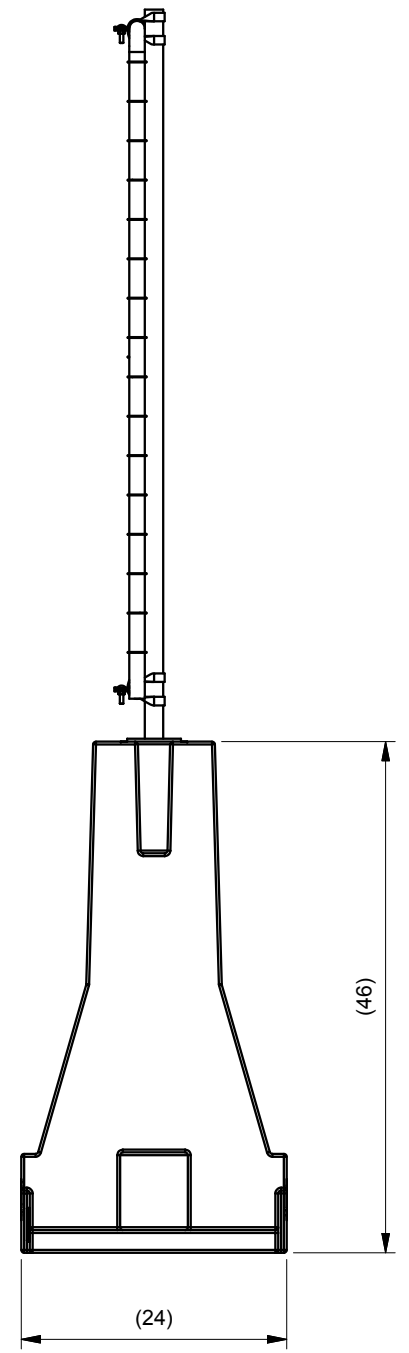
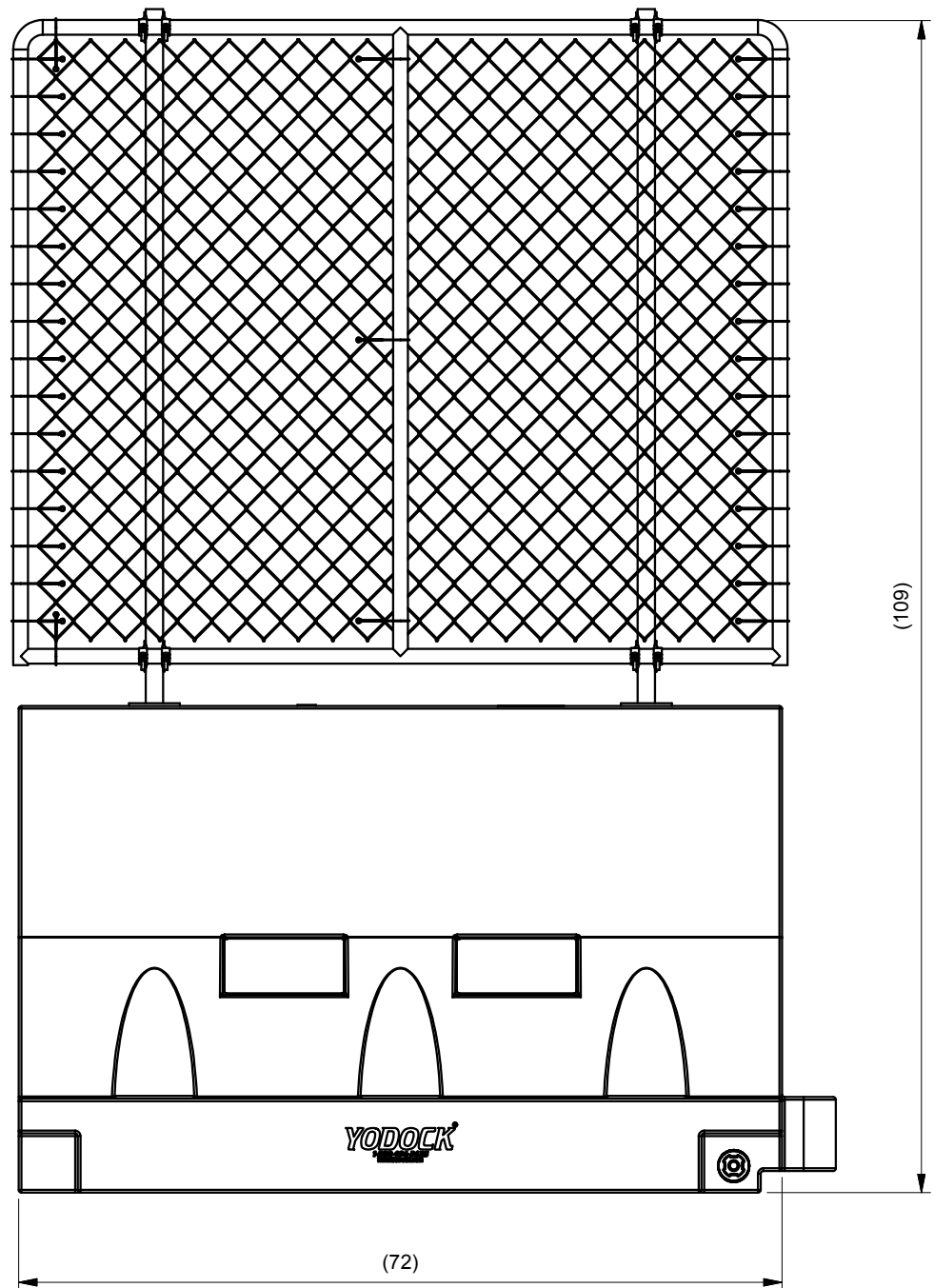


PARTS LIST			
ITEM	STOCK NO.	DESCRIPTION	QTY.
1	148010	YODOCK 2001 BARR-ORNG-46"	1
2	118735	SP TRINITY PANEL	1
3	118620	BUSHING,RUBBER,1.68X4.25X1.5	2



ASSEMBLY NO: 148192

NOTES:
1. FINISH AND GENERAL WORKMANSHIP PER QMS-SF-004, UNLESS OTHERWISE SPECIFIED.

MATERIAL: SEE PARTS LIST	DRAWN: R. VENZON	DATE: 5/22/2015	TOLERANCES PER QMS-SF-001, UNLESS OTHERWISE SPECIFIED.					YODOCK 2001 W/FENCE PANEL	DRAWING: 148192	REV: -	SHEET: 1 of 1
FINISH: N/A	CHECKED: A. VAN BROCKLIN	DATE: 5/27/2015	DO NOT SCALE DRAWING								
UNLESS OTHERWISE NOTED, ALL DIMENSIONS ARE IN INCHES. DIMENSIONS ACCORDING TO ASME Y14.5M-1994 UNLESS OTHERWISE SPECIFIED.			ECO	Date	Rev	By	Chk.				
ESTIMATED WEIGHT: 194.42 lbmass											

